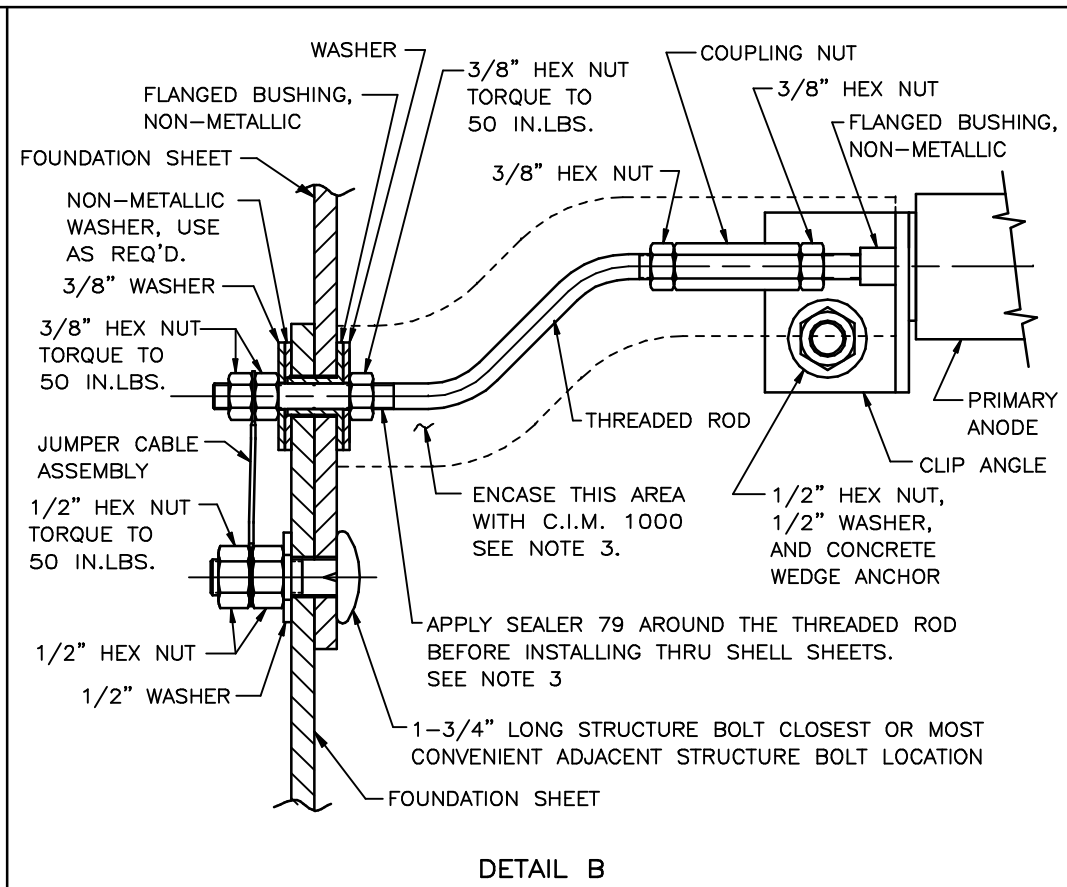
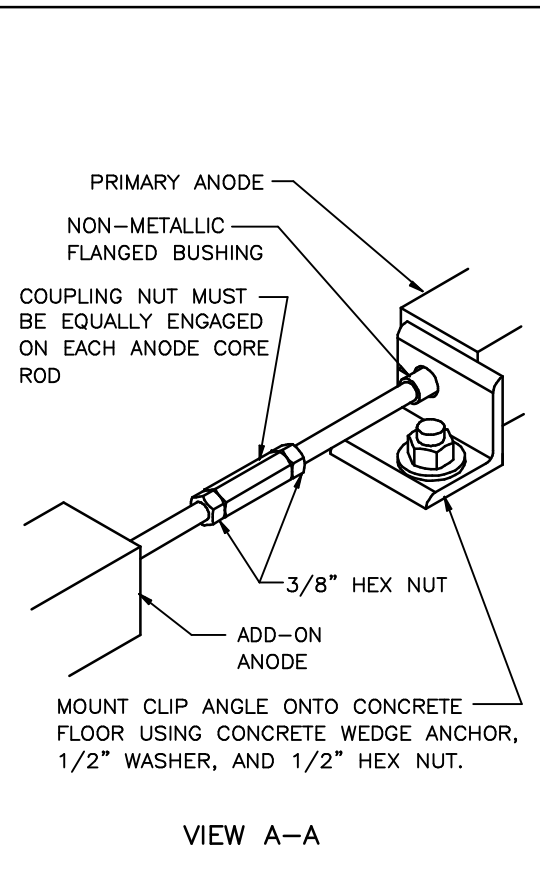


**NOTES:**

1. EQUALLY SPACE THE PRIMARY ANODES AROUND THE INSIDE PERIMETER OF THE TANK. INSTALL ONE END OF THE THREADED ROD THRU THE LOWEST BOLT HOLE IN THE FOUNDATION SHEET VERTICAL SEAM ABOVE THE CONCRETE FLOOR.
2. ADD-ON ANODES TO BE INSTALLED AS SHOWN IN VIEW A-A.
3. ALL SEALER 79 AND C.I.M. 1000 USED WHEN INSTALLING THE CATHODIC PROTECTION SYSTEM IS TO BE SUPPLIED BY THE BUILDER.

REL	DESCRIPTION	ECN DR. BY
1	RELEASED FOR PRODUCTION	97263 10/14/97 DMA/RKK
2	REVISED TO USE ROUND WASHER INSTEAD OF HEX.	99211 1/19/00 DMA/



**A.O. SMITH**  
**ENGINEERED STORAGE PRODUCTS COMPANY**  
 DEKALB, ILLINOIS 60115

**CONFIDENTIAL**  
 THIS DRAWING IS THE PROPRIETARY PROPERTY OF A.O. SMITH ENGINEERED STORAGE PRODUCTS COMPANY AND SHALL NOT BE USED NOR REPRODUCED WITHOUT THE EXPRESS WRITTEN CONSENT OF THE COMPANY.  
 AOSSEPC COPYRIGHT © 1997  
 ALL RIGHTS RESERVED

DRAWN BY: DMA DATE: 10/10/97	
CONSTRUCTION DETAIL CATHODIC PROTECTION SYSTEM INSTALLATION	
CONCRETE FOUNDATIONS ANODE ATTACHMENT	
DRWG NO.	265449